

v240M2

2.4M MULTI-ORBIT DUAL-BAND Antenna System



FEATURES

AUTOMATIC FREQUENCY BAND SWITCHING

The Intellian v240M 2 has the capability of switching between two satellite frequency bands. It allows automatic switching between C- and Ku-band without user intervention. This enables the operator to select the optimum solution for the geographic location.

FUTURE PROOF DESIGN

The v240M2 isn't just designed for the present, but is fully prepared for the future networks as they come online. To provide greater flexibility of space segment selection, the Ka-band upgrade kit allows the addition of Ka-band communication. The Intelligent Mediator enables MEO operation on the v240M 2 combined with the Ka-band upgrade. The v240M 2 is prepared to operate using Future Satellite Networks.

BEST IN-CLASS RF PERFORMANCE

The upgraded design assures consistent RF performance on C and Ku-bands to enable high-speed, high-quality connectivity for high-bandwidth demanding users. The v240M 2 features high-power BUC options up to 400W in both C- and Ku-bands. It's ready for the highest throughput.

FIBER OPTIC SOLUTION

Fiber optic solution is based on our extensive fiber optic experience, resulting in minimal signal loss regardless of cable length. It enables greater bandwidth capability compared to a coaxial cable connection between ADU and BDU. The Fiber optic solution is ideal for high throughput installations and allows for quicker and easier installations.

INTELLIGENT MEDIATOR

This sophisticated system enables automatic switching between networks, satellites, orbits and, provides support for Dual Centers. All of this happens automatically, without any user intervention, this ensures no loss of data and no dropped calls.

v240M 2 2.4m Multi-Orbit Multi-band Antenna System

TECHNICAL SPECIFICATIONS

PHYSICAL

| | |
|--------------------|----------------------|
| Radome Height | 431 cm / 169.5" |
| Radome Diameter | 391 cm / 154" |
| Reflector Diameter | 240 cm / 94.5" |
| Antenna Weight | 1,133 kg / 2,498 lbs |

STABILIZED PEDESTAL ASSEMBLY

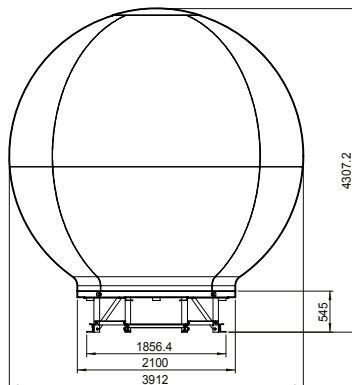
| | |
|---------------------|--|
| Platform | 3-axis : Azimuth, Elevation, Cross-level |
| Azimuth Range | Unlimited |
| Elevation Range | -15° to +120° |
| Cross-level Range | up to 30° |
| Stabilized Accuracy | 0.2° peak mis-pointing @ max ship motion condition |
| Motor Brake System | Elevation, Cross level |

REFLECTOR & FEED ASSEMBLY

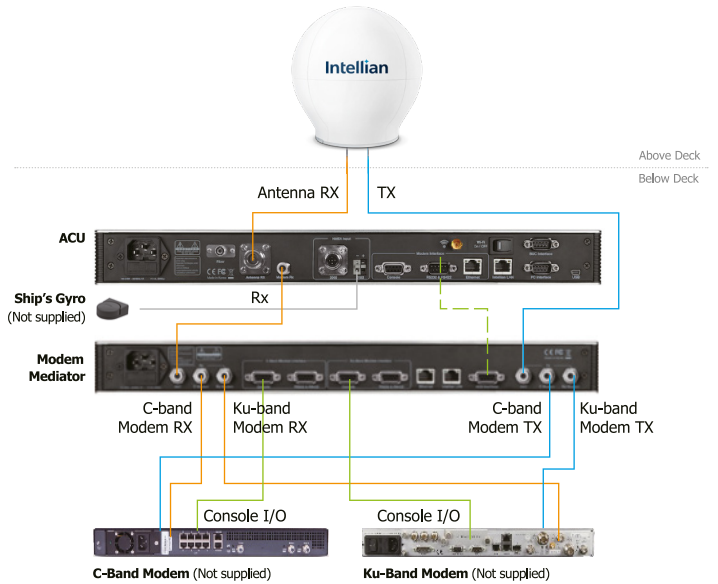
| | |
|--------------------|---|
| Tx Frequency | C-band : 5.85 GHz ~ 6.425 GHz Ku-band : 13.75 GHz ~ 14.5 GHz |
| Tx Gain | C-band : 42.0 dBi @ 6.14 GHz Ku-band : 48.6 dBi @ 14.25 GHz |
| Rx Frequency | C-band : 3.625 GHz ~ 4.2 GHz Ku-band : 10.7 GHz ~ 12.75 GHz |
| Rx Gain | C-band : 38.4 dBi @ 3.91 GHz Ku-band : 47.7 dBi @ 11.85 GHz |
| G/T (Incl. Radome) | C-band : 19.0 dB/K @ 3.91 GHz Ku-band : 28.0 dB/K @ 12.75 GHz |
| BUC Power | C-band up to 400 W Ku-band up to 400 W |
| Polarization | C-band : Circular & Linear Ku-band : Linear (Cross Pol & Co Pol) |

* 168" sized Radome available as an option.

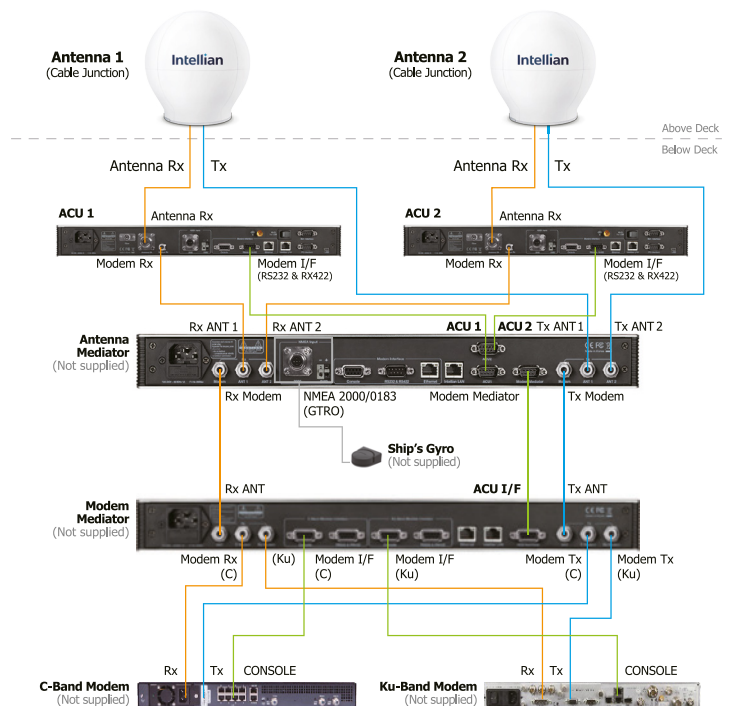
SYSTEM DIMENSION



SINGLE ANTENNA SYSTEM



DUAL ANTENNA SYSTEM



Global HQ

Innovation Center
Intellian Technologies, Inc
T +82 31 379 1000 F +82 31 377 6185

APAC

Seoul
Intellian Technologies, Inc.
T +82 2 511 2244 F +82 2 511 2235

Americas

Irvine
Intellian Technologies USA, Inc.
T +1 949 727 4498 F +1 949 271 4183
Toll Free +1 888-201-9223

EMEA

Rotterdam
Intellian B.V.
T +31 1 0820 8655 F +31 1 0820 8656